

82T Series

THOUGH HOLE CURRENT SENSE TRANSFORMERS AND INDUCTORS

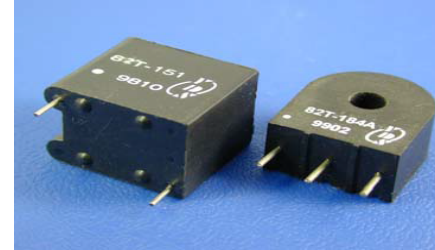


FEATURES

- Designed For Switching Power Supply Applications.
- Transformer Meets IEC950 Insulation Requirements
- Frequency Range From 20kHz To 200kHz
- Recognized By UL 60950-1

Part Number:

82T - 502 A NL
A B C D
 A:Series
 B:Inductance
 C:Schematics
 D:RoHS Version



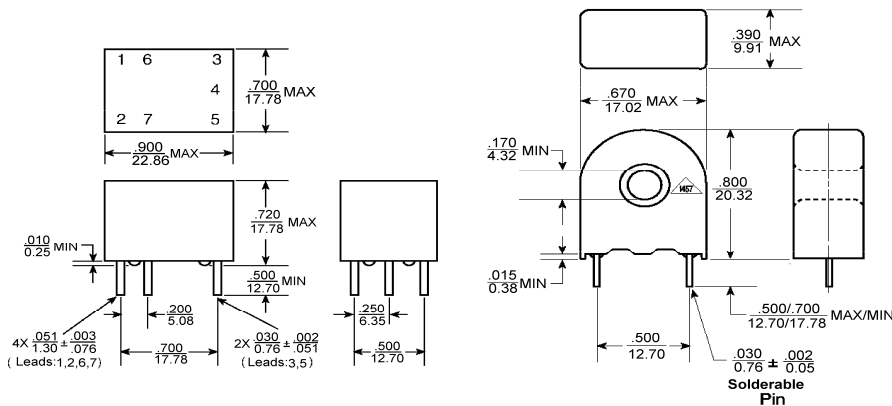
TEST CONDITIONS

- Inductance -----10KHz/500mV

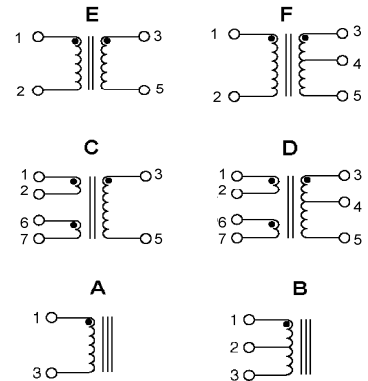
ELECTRICAL SPECIFICATIONS @25°C -Operating temperature -30°C TO +130°C

PART NUMBER	SCHEM FIGURE	TURNS NS	SECONDARY INDUCTANCE mH(MIN)	SECONDARY INDUCTANCE TEST VOLTAGE (15.75KHz)	RS (Ω MAX)	RT (Ω NOM)	PRIMARY UNIPOLAR AMP μ sec Rating(max)	PRIMARY BIPOLAR AMP μ sec Rating(max)
82T-502A	A	50	5.0	0.5	0.7	50	150	300
82T-203A	A	100	20.0	1.0	1.40	100	300	600
82T-803A	A	200	80.0	2.0	4.50	200	600	1200
82T-502B	B	50CT	5.0	0.5	0.7	50	150	300
82T-203B	B	100CT	20.0	1.0	1.40	100	300	600
82T-803B	B	200CT	80.0	2.0	4.50	200	600	1200
82T-184B	B	300CT	180.0	3.0	11.0	300	900	1800
82T-203C	C	100	20.0	1.0	1.40	100	300	600
82T-803C	C	200	80.0	2.0	4.50	200	600	1200
82T-502D	D	50CT	5.0	0.5	0.7	50	150	300
82T-203D	D	100CT	20.0	1.0	1.40	100	300	600
82T-803D	D	200CT	80.0	2.0	4.50	200	600	1200
82T-502E	E	50	5.0	0.5	0.7	50	150	300
82T-203E	E	100	20.0	1.0	1.40	100	300	600
82T-803E	E	200	80.0	2.0	4.50	200	600	1200
82T-502F	F	50CT	5.0	0.5	0.7	50	150	300
82T-203F	F	100CT	20.0	1.0	1.40	100	300	600
82T-803F	F	200CT	80.0	2.0	4.50	200	600	1200
82T-184F	F	300CT	180.0	3.0	11.0	300	900	1800

MARKINGS AND DIMENSIONS



SCHEMATICS



84T Series

500KHz CURRENT SENSE TRANSFORMERS & INDUCTORS



FEATURES

- FREQUENCY RANGE FROM 200 TO 500 KHz
- 1250 Vrms ISOLATION
- 20Amp PEAK SENSE CURRENT
- RECOGNIZED BY UL 60950-1

TEST CONDITIONS

- Inductance -----200KHz/200mV

Part Number:

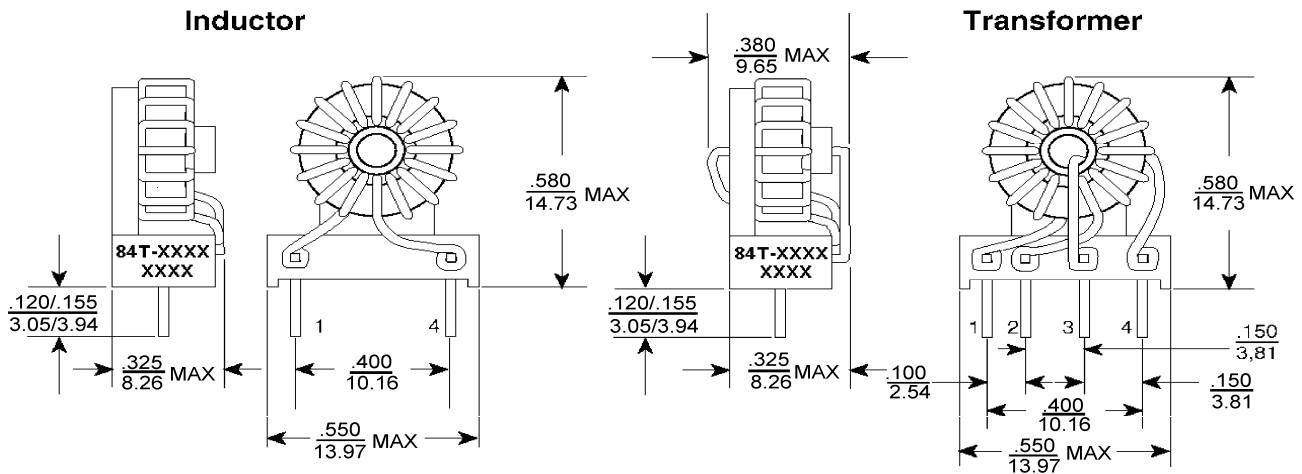
84T - 151 A NL
 A B C D
 A:Series
 B:Inductance
 C:Schematics
 D:RoHS Version



ELECTRICAL SPECIFICATIONS @25°C-Operating temperature -30°C TO +130°C

PART NUMBER INDUCTOR	PART NUMBER TRANSFORMER	RT (Ω)	SECONDARY TURNS NS	SECONDARY INDUCTANCE (μH MIN)	DCR SEC (Ω MAX)	DCR PRI (Ω)	Vs (mV)
84T-151A	84T-151B	1.50	10	150	0.055	0.006	30
84T-601A	84T-601B	3.00	20	600	0.097	0.006	60
84T-402A	84T-402B	7.50	50	4000	0.240	0.006	160

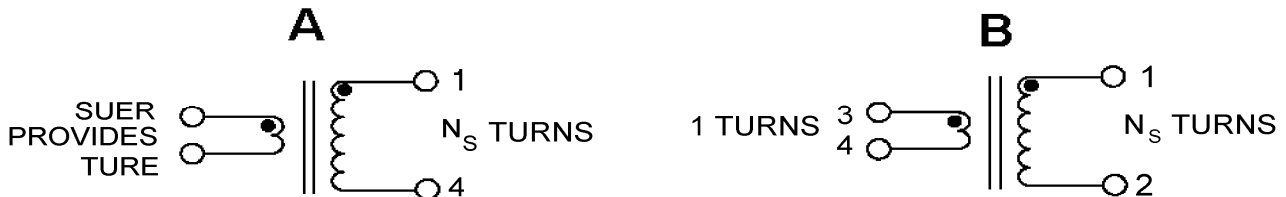
MARKINGS AND DIMENSIONS



Dimensions: inches/mm

Unless otherwise specified, all tolerances are ±.010/±0.25

SCHEMATICS



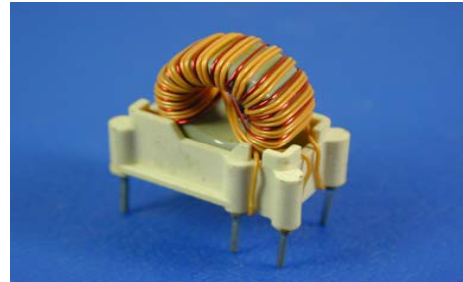
86T Series

THT CURRENT SENSE TRANSFORMERS



FEATURES

- 3000 Vrms GATE TO DRIVE WINDING TEST.
- USEFUL OPERATING FREQUENCY FROM 50 KHz TO 500KHz.
- MOST POPULAR WINDING CONFIGURATIONS.
- RECOGNIZED BY UL 60950-1



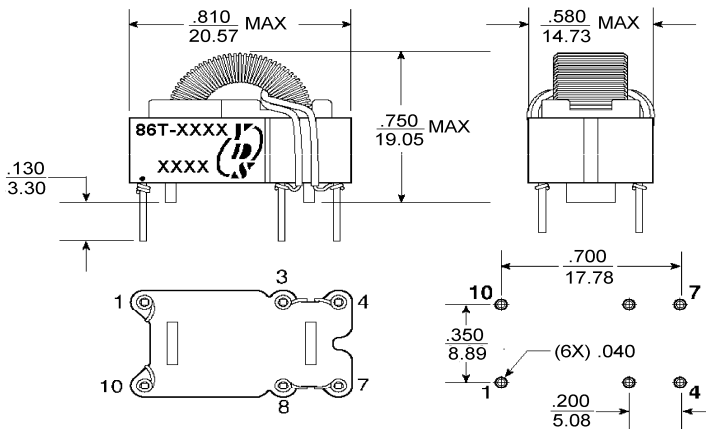
TEST CONDITIONS

- Inductance -----100KHz/200mV

ELECTRICAL SPECIFICATIONS @25°C-Operating temperature -30°C TO +130°C

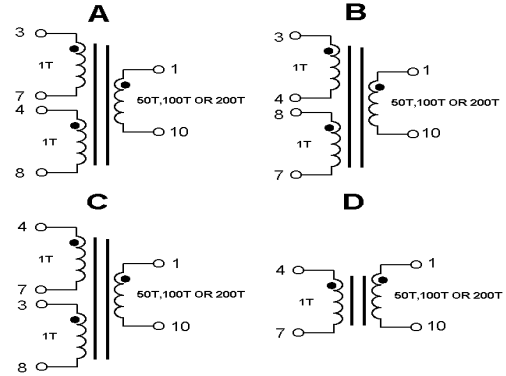
PART NUMBER	TURNS RATIO	SECONDARY INDUCTANCE (1-10)(mH MIN)	DCR SEC (1-10) (Ω MAX)	DCR SEC (1-10) (Ω MAX)	DCR SEC (1-10) (Ω MAX)	HI-POT (Vrms)	REFERENCE DATA				CALCULATION DATA	
							RT	Ipk (Amps)	DROOP (%)	MAX FLUX DENSITY	Kb	Req (mΩ)
86T-763A	1:1:200	76	2.8	2.15	2.15	3000	200	34	1.00	2000	17.12	0.9
86T-193A	1:1:100	19	1.4	2.15	2.15	3000	100	35	1.98	2000	68.49	0.8
86T-502A	1:1:50	5	0.7	2.15	2.15	3000	15	36	1.19	2000	273.97	0.75

MARKINGS AND DIMENSION



SUGGESTED PCB HOLE PATTERN

SCHEMATIC



Part Number:

86T - 763 A NL
A B C D

A:Series

B:Inductance

C:Schematics

D:RoHS Version

Dimensions:inches/mm

Unless otherwise specified, all tolerances are $\pm .010/\pm 0.25$