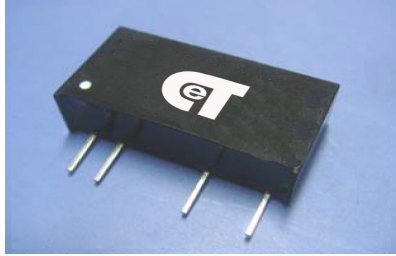


CT-12D-3W SERIES

3000Vdc Isolation Single Output 3 Watt Dc-Dc Converter



FEATURES:

- 7PIN SIP Package
- Typical efficiency from 83%
- Unregulated Output Types
- Internal SMD Construction
- No External Component Required
- Industry Standard Pinout
- Operating Temperature: -40°C TO +85°C



Specifications typical at TA=25°C, nominal input voltage and rated output current unless otherwise specified

Part Number	Output Voltage	Output Current	Efficiency
	Vdc	mA	%TYP
CT-05S05N3WNL	5	600	82
CT-05S09N3WNL	9	333	85
CT-05S12N3WNL	12	250	82
CT-05S15N3WNL	15	200	85
CT-12S05N3WNL	5	600	82
CT-12S09N3WNL	9	333	85
CT-12S12N3WNL	12	250	86
CT-12S15N3WNL	15	200	87

Input Specifications

Parameters	Conditions	Min	Typ	Max	Units
Voltage Tolerance	Vo, Io Nom			±10	%
Filter	Capacitor				

Output Specifications

Parameters	Conditions	Min	Typ	Max	Units
Voltage Tolerance	100% full load			±5	%
Short Circuit Protection	Short Term			1 Sec	
Line Regulation	For 1.0% OF Vin		1.2		%
Load Regulation	10% To 100% F.L			10	%
Ripple & Noise	BW=DC To 20MHz			100	mVp-p
Transient response setting time	50% load step change		350		us

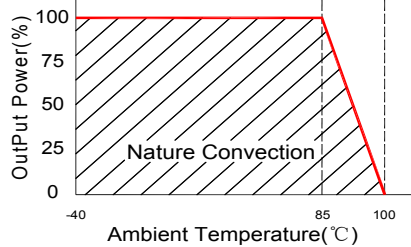
General Specifications

Parameters	Conditions	Min	Typ	Max	Units
Isolation Resistance	500Vdc	1000			MΩ
Switching Frequency	Full load, nominal input		60		KHz
Operation Temperature		-40		+85	°C
Humidity	Non Condensing			95	%
Cooling	Free air Convection				
Case material	DAP				
MTBF	MIL-HDBK-217F@25°C	3500000			Hours
Weight			2.7		g
Dimensions			19.5x7.1x10.0		mm

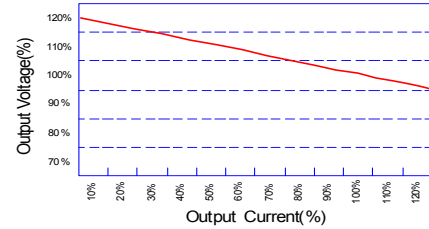
CT-12D-3W SERIES

3000Vdc Isolation Single Output 3 Watt Dc-Dc Converter

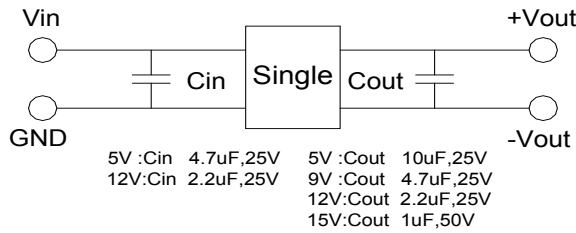
Temperature Derating Graph



Tolerance Envelope Graph



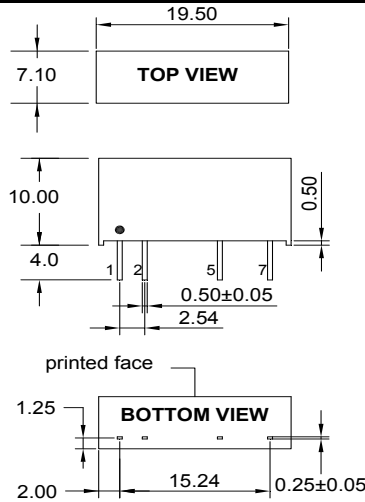
Recommended Test Circuit



Part Number

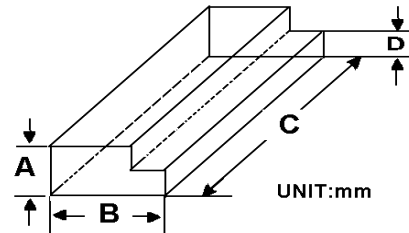
12D - 05 S 05 N 3W NL
 A B C D E F G
 A:Series
 B:Input Voltage
 C:Single(S)
 D:Output Voltage
 E:Unregulated(N)
 F:Output Power
 G:RoHS Version

Markings and dimensions



UNIT:mm Unless otherwise specified,all tolerances are ±0.25

Packaging



Size(mm)			
A	B	C	D
9.50	16.50	522	5.00

PIN Connection

PIN	1	2	5	7
Single	+Vin	-Vin	-Vout	+Vout